

RS

POSTUPAK DEBLOKADE MOTORA U SLUČAJU NESTANKA STRUJE ILI KVARA

HITNO STAVLJANJE U RUČNI REŽIM

1. Povucite jednom na dole kabl za otključavanje u slučaju nužde (N).
» Pogon se slobodno kreće i vrata se mogu pokrenuti ručno.
2. Povucite ponovo kabl za otključavanje u slučaju nužde (N).
» Pogon klikne na svoje mesto i vrata se mogu pokrenuti samo mehanički.

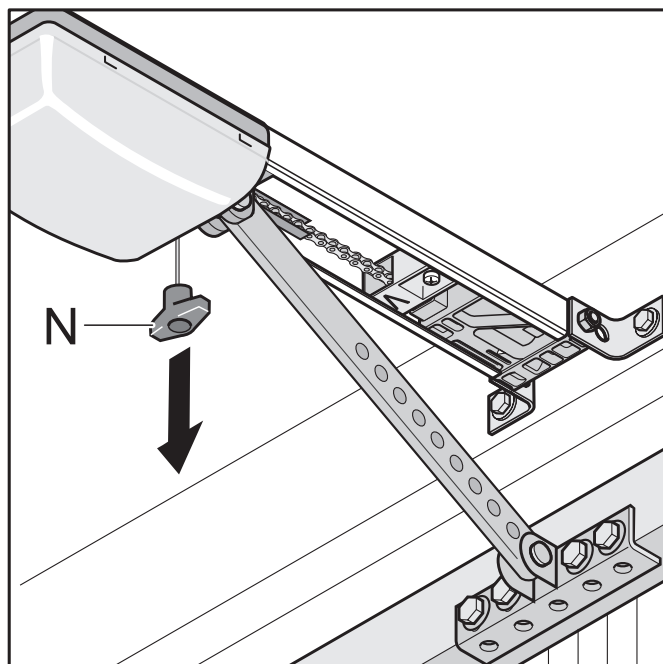


OPREZ!

Hitan ručni režim pogodan je samo za otvaranje ili zatvaranje vrata u slučaju vanredne situacije, nije pogodan za redovno otvaranje ili zatvaranje vrata jer može prouzrokovati oštećenje na motoru ili vratima.



Motor se može zaključati i osloboditi u bilo kom položaju vrata.



GB

MANUAL MANOEUVRE IN THE EVENT OF LACK OF POWER SUPPLY OR FAILURE

EMERGENCY RELEASE

1. Pull once on the emergency unlocking cord (N).
» The drive moves freely and the door can be moved manually.
2. Pull on the emergency unlocking cord (N) again.
» The drive clicks into place and the door can only be moved mechanically.



CAUTION!

The emergency release is only suitable for opening or closing the door in case of an emergency, The emergency release is not suitable for regularly opening or closing the door for other reasons. This could cause damage to the drive or door.



NOTE

It can be locked and released in any door position.

